

Kit for automation of a residential sliding gate weighing up to 400 kg and up to 5 m



Downee®

ASL-SL1S

Compact and elegant motor for sliding gates



Reliable and quiet: die-cast powder-coated aluminium base, gear motor mounted on bearings

Extra safe: low voltage connections (24V), automatic obstacle detection feature

Auto-programming and diagnostic system: automatically calculates the most suitable operating parameters for each gate. Identifies and immediately signals any connection errors or malfunction

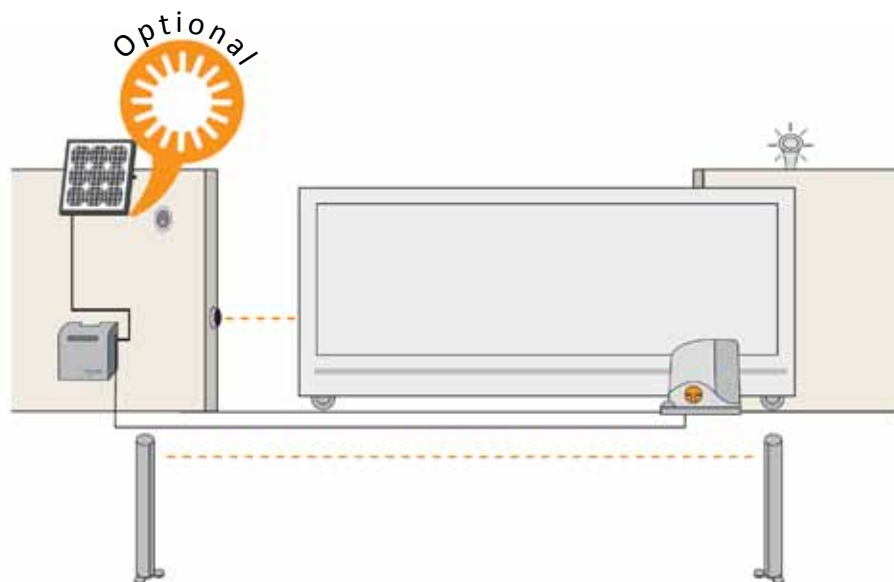
“Plug ‘n Play” connections: very simple and quick, with easy identification of wires and terminals. **ECSBus system** for connection of up to seven pairs of photocells using only two wires

Minimal waiting time for gate to operate: only 18 seconds to open (in ideal installation conditions, for a sliding gate 4 m long)

Control unit with integrated receiver featuring:

- 2 variable speeds for smooth operation
- timed and adjustable automatic closing function
- easy programming of additional remote controls (up to 150)
- obstacle sensitivity and partial opening adjustments

Quick motor release: for manual gate operation



ASL-SL1S Full Kit contains:

1 x
Electromechanical
gear motor
with integrated
control unit and
433.92MHz variable
code receiver.
Three release keys and mounting
plate included



2 x 433.92 MHz
4 button variable
code remote
control



1 x pair of ECSBUS
wall mounted
autosynchronized
photocells



1 x adjustable
flashing light, with
built-in aerial to
increase range of
remote control



OPTIONS:

AAC-SUN uses solar energy, replacing the electrical mains as the source of power for opening the gate.

- Can be installed anywhere without the need for excavations or connections to the electrical mains. The ideal solution for remote sites.
- The energy reserve levels, combined with low consumption of the motor, guarantee operation even in prolonged overcast weather conditions.



Also available **ASL-SL1S/02 START KIT**:

1 x Electromechanical gear motor with integrated control unit and 433.92MHz variable code receiver.

1 x 433.92 MHz 4 button variable code remote control



Also available as a **SPLIT PACK** (both on Full Kit and Start Kit) :



No mains power is required at the gate. The external transformer allows you to run a low voltage cable from your closest powerpoint (up to 30 meters) to your gate motor.

Accessories:

AR-4FPNR 1m section of nylon gear rack with steel core



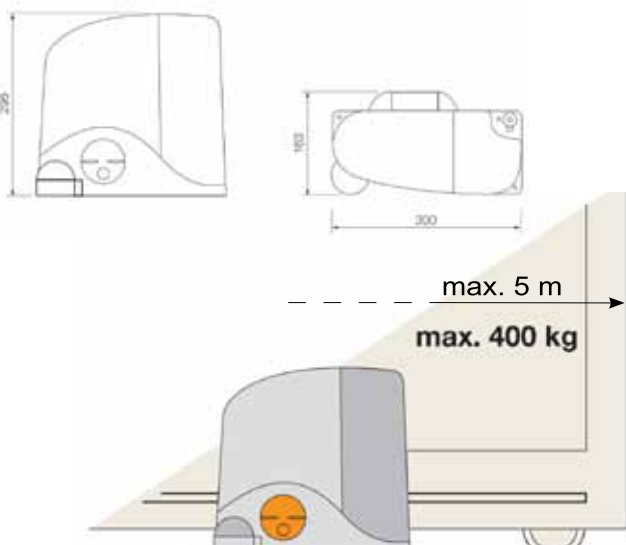
AAC-PR1 24V buffer battery for emergency power supply



AAC-DS1 13-key wireless keypad with programmable code



AAC-R2 12/24V receiver used to control other automations such as garage openers and alarm systems



Technical characteristics of SL1S gear motor

| | Slow | Fast |
|---------------------------------|------|------|
| Control unit power supply (Vac) | 240 | |
| Motor power supply (Vdc) | 24 | |
| Max power absorbed (W) | 300 | |
| Nominal thrust (N) | 173 | |
| Maximum speed (m/s) | 0.16 | 0.25 |
| Protection class (IP) | 44 | |
| Weight (kg) | 9 | |

techsupport@downee.com.au - 1800 241 733

www.downee.com.au

Downee® is a division of RMD Industries Pty Ltd